

Mild Steel and Stainless Steel Wall to Floor Grab Rails

35



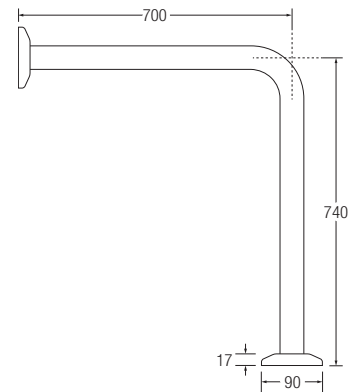
35mm

Mild Steel

Stainless Steel

Concealed Fix

- Stainless Steel for use in wet or damp areas. Mild Steel for use in dry areas.
- Available in polyester coated, mirror polished and sateen polished finishes. Please specify the RAL colour you require when ordering colours.
- Bespoke sizes available on request.
- Fixing holes to fit size 8 screws. (Fixings not supplied)



35mm Wall to Floor Grab Rail



White



Blue RAL 5011



RAL Colour



Mirror Polish



Sateen Polish

35mm	MS	740mm x 700mm	37300C	37301C	37302C	NA	NA
35mm	SS	740mm x 700mm	38100C	38101C	38102C	37900C	37910C



Ribbed Grip

Wall to Floor Grab Rails can be manufactured with a ribbed grip. **Please add an 'R' to the end of the product code.** Please note ribbed grips are not recommended for wet environments.