

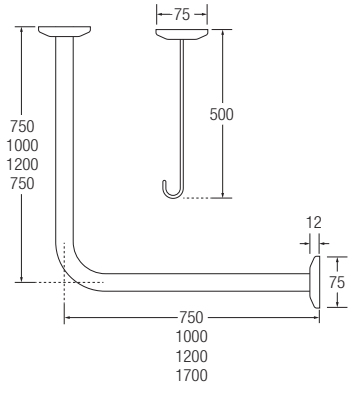
# Mild Steel and Stainless Steel L Shaped Curtain Rails

25



## 25mm Curtain Rail

		<input type="radio"/> White <input type="radio"/> Chrome Plate		
25mm	MS	750mm x 750mm	65700C	65400C
25mm	MS	1000mm x 1000mm	65900C	65600C
25mm	MS	1200mm x 1200mm	65905C	65610C
25mm	MS	750mm x 1700mm	65800C	65500C



## 25mm Curtain Rail for Showers

		<input type="radio"/> White <input type="radio"/> Mirror Polish <input type="radio"/> Sateen Polish			
25mm	SS	750mm x 750mm	65940C	65910C	65936C
25mm	SS	1000mm x 1000mm	65960C	65930C	65938C
25mm	SS	1200mm x 1200mm	65962C	65935C	65939C
25mm	SS	750mm x 1700mm	65950C	65920C	65937C

25mm Mild Steel Stainless Steel

Concealed Fix

- We recommend that only stainless steel curtain rails be used in wet or damp areas. Mild Steel for use in dry areas.
- Curtain Rails are modular and are joined using black connectors to aid delivery and installation (Chrome Plate has two connectors, other finishes have one). Smaller sizes can be manufactured as a single piece on request.
- Curtain Rails can be manufactured to customer specification. Price on application.
- Ceiling stays are recommended on larger sizes and in shower scenarios.
- Ceiling Stays are 500mm but can be manufactured to customer specification. Price on application.
- Fixing holes to fit size 8 screws. (Fixings not supplied)

## Ceiling Stay

		<input type="radio"/> White <input type="radio"/> Mirror Polish <input type="radio"/> Sateen Polish		
SS	500mm	66120C	66110C	66115C