

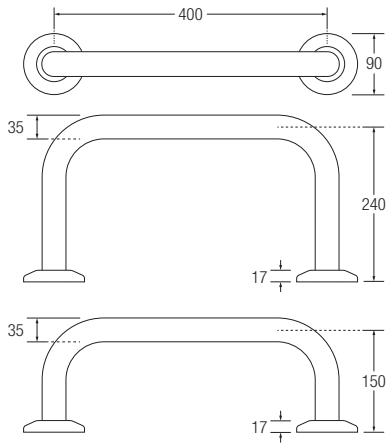
Mild Steel and Stainless Steel Backrest Rails



35mm Mild Steel Stainless Steel

Concealed Fix

- Stainless Steel for use in wet or damp areas. Mild Steel for use in dry areas.
- 35mm tube diameter for superior strength and confidence.
- Strong tubular construction with robust welded flanges for lasting strength and performance.
- Available in polyester coated, chrome plated, mirror polished and sateen polished finishes. Please specify the RAL colour you require when ordering colours.
- Fixing holes to fit size 8 screws. (Fixings not supplied)



Projection Shower Seat

The 150mm backrest rail is designed to be used with the 650mm projection shower seat.

Turn to page 68

35mm Backrest Rail

White Blue RAL 5011 RAL Colour Mirror Polish Sateen Polish

35mm	MS	400mm x 150mm	48755C	48760C	48765C	NA	NA
35mm	MS	400mm x 240mm	48605C	48606C	48609C	NA	NA
35mm	SS	400mm x 150mm	49060C	49065C	49070C	49050C	49055C
35mm	SS	400mm x 240mm	49200C	49210C	49220C	49100C	49110C

Backrest Cushion

White Blue RAL 5011

FOAM CUSHION	49702	49703
--------------	-------	-------

- Water resistant foam.
- 365mm x 160mm x 50mm.
- Available in White or Blue RAL 5011.



Cushions are fixed onto the backrest rail using two bolt on brackets supplied.