

Mild Steel and Stainless Steel Wall to Floor Grab Rails

35

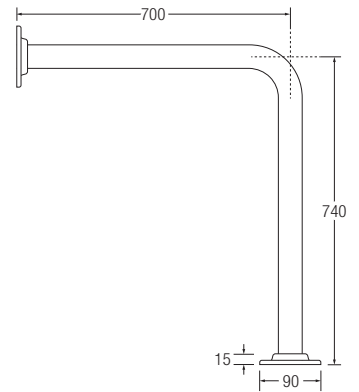


35mm

Mild Steel

Stainless Steel

- Mild Steel for use in dry areas. Stainless Steel for use in wet or damp areas.
- Available in polyester coated, mirror polished and sateen polished finishes. Please specify the RAL colour you require when ordering colours.
- Bespoke sizes available on request.
- Fixing holes to fit size 8 screws. (Fixings not supplied)



35mm Wall to Floor Grab Rail



White



Blue RAL 5011



RAL Colour



Mirror Polish



Sateen Polish

35mm	MS	740mm x 700mm	37300	37301	37302	NA	NA
35mm	SS	740mm x 700mm	38100	38101	38102	37900	37910



Ribbed Grip

Wall to Floor Grab Rails can be manufactured with a ribbed grip. **Please add an 'R' to the end of the product code.** Please note ribbed grips are not recommended for wet environments.



Concealed Fixings

Wall to Floor Grab Rails with concealed fixings are available as part of our Professional range.

[Turn to page 32](#)