

Stainless Steel Shower Seats



Stainless Steel

Plastic Slatted Shower Seat



- Compact, lightweight shower seat for use where space is limited.
- Seats with drop down legs set to 500mm (to top of seat) with feet adjustment of up to 20mm.
- Strength tested to 150kg without Legs and 170kg with Drop Down Legs. This does not include customer fixings.
- Backplate bolt holes are drilled for M8 Bolts. (Fixings not supplied)



White



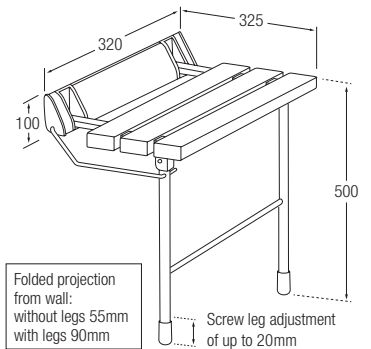
Blue RAL 5011

Without Drop Down Legs

SS	49900	49901
----	-------	-------

With Drop Down Legs

SS	49889	NA
----	-------	----



Stainless Steel

One Piece Backplate Shower Seat



- Seats with drop down legs set to 480mm (to top of seat) with feet adjustment of up to 20mm.
- Strength tested to 150kg without legs and 170kg with drop down legs. This does not include customer fixings.
- Plastic seat, removable for easy cleaning.
- Backplate bolt holes are drilled for M8 Bolts. (Fixings not supplied)



White

Without Drop Down Legs

SS	49781
----	-------

With Drop Down Legs

SS	49720
----	-------

