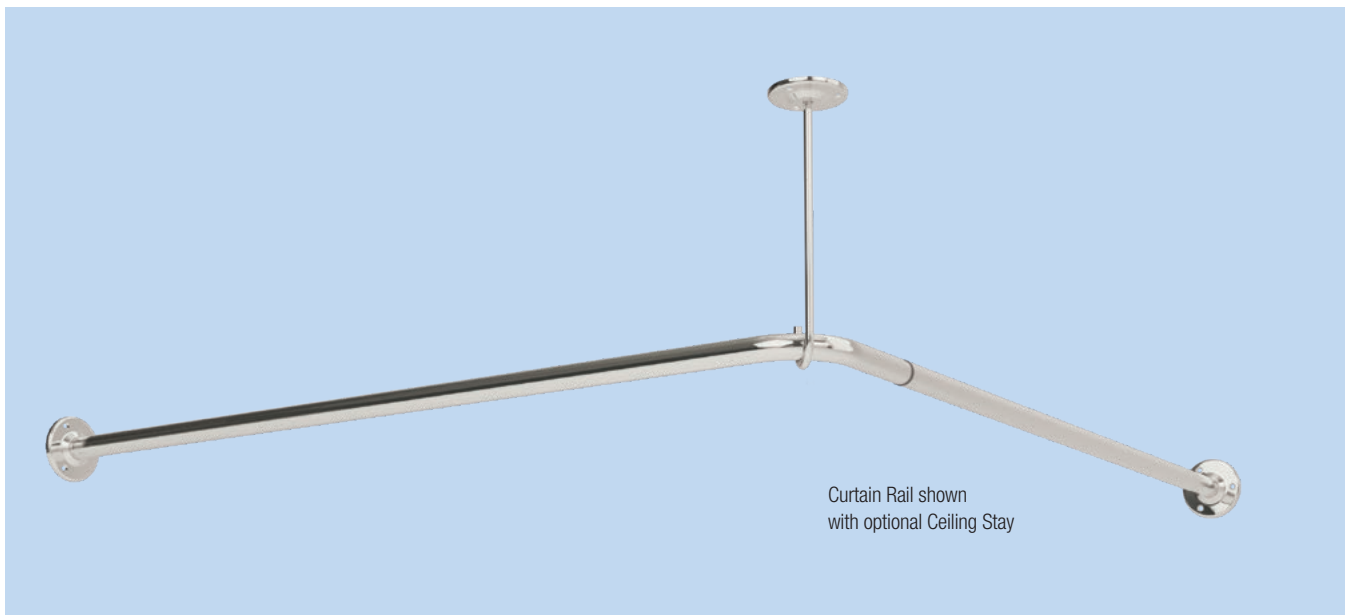
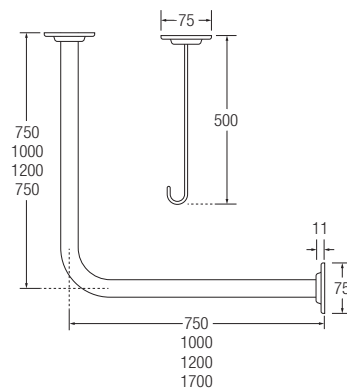


# Mild Steel and Stainless Steel L Shaped Curtain Rails



## 25mm Curtain Rail

			○ White	● Chrome Plate
25mm	MS	750mm x 750mm	65700	65400
25mm	MS	1000mm x 1000mm	65900	65600
25mm	MS	1200mm x 1200mm	65905	65610
25mm	MS	750mm x 1700mm	65800	65500



## 25mm Curtain Rail for Showers

			○ White	● Mirror Polish	● Sateen Polish
25mm	SS	750mm x 750mm	65940	65910	65936
25mm	SS	1000mm x 1000mm	65960	65930	65938
25mm	SS	1200mm x 1200mm	65962	65935	65939
25mm	SS	750mm x 1700mm	65950	65920	65937

25mm Mild Steel Stainless Steel

- We recommend that only stainless steel curtain rails be used in wet or damp areas. Mild Steel for use in dry areas.
- Curtain Rails are modular and are joined using black connectors to aid delivery and installation (Chrome Plate has two connectors, other finishes have one). Smaller sizes can be manufactured as a single piece on request.
- L Shaped Curtain Rails can be manufactured to customer specification. Price on application.
- Ceiling stays are recommended on larger sizes and in shower scenarios.
- Ceiling Stays are 500mm but can be manufactured to customer specification. Price on application.
- Fixing holes to fit size 8 screws. (Fixings not supplied)

## Ceiling Stay

		○ White	● Mirror Polish	● Sateen Polish
SS	500mm	66120	66110	66115