

Stainless Steel

Knowle Backrest and Cushion



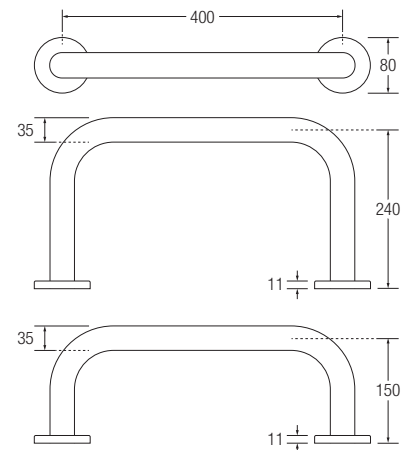
35mm **Stainless Steel**

- Stylish, low profile cover plates.
- Stainless Steel for use in wet or damp areas.
- Available in mirror polished, sateen polished and polyester coated finishes. Please specify the RAL colour you require when ordering colours.
- Fixing holes to fit size 8 screws. (Fixings not supplied)

The 150mm backrest rail is specifically designed to be used with the 650mm projection shower seat.

Backrest Rail

			Mirror Polish	Sateen Polish	White	RAL Colour
35mm	SS	150mm	18015MP	18015SP	18015WH	18015CO
35mm	SS	240mm	18016MP	18016SP	18016WH	18016CO



Backrest Cushion

	White	Blue RAL 5011
FOAM	49702	49703



- Water resistant foam.
- 365mm x 160mm x 50mm.
- Available in White or Blue RAL 5011.



Cushions are fixed onto the backrest rail using two bolt on brackets supplied.